

0-876-08 / 09



Features

- Camera 0-876-08 / 09 consists two parts: recorder & external camera, internal camera.
- Supports 3G/4G, GPS, Bluetooth, WIFI, 6-axis, etc.
- SD card recording storage (Max. Memory of SD card 256GB);
- SD cards are kept in specific slots which are hard to be noticed with anti-theft design ;
- Adopts Aluminum shell, good heat dissipation to support 5-8 years lifespan;
- Compact size, light weight;
- It supports glass paste installation at the rearview mirror, which is convenient and will not influence driver driving;
- The internal camera is with infrared and audio function that can record clearly anything in the car, including the driver and passengers. The external camera can record what has happened in front of the car and can provide evidence if any accident occurs.

Specification

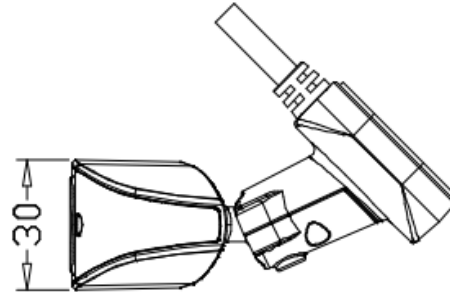
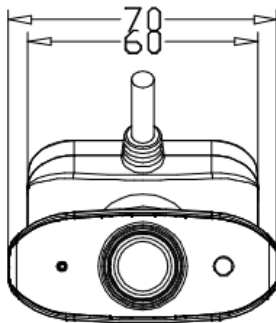
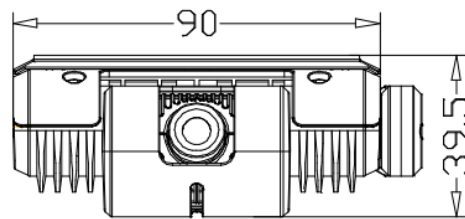
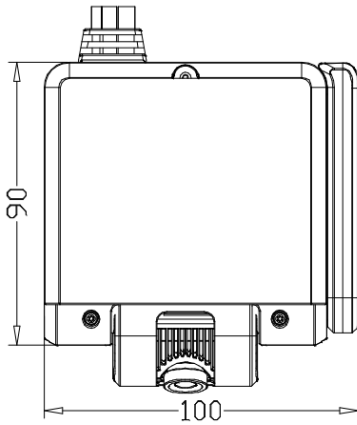
Model	0-876-08 / 09 V3.0	
Network	WIFI	Support, optional AP mode within 2 minutes after startup, after 2 minutes without device connected, camera will switch to client mode.
	Bluetooth	Support, optional

	3G/4G	Support, optional
GPS	GPS/BD	Support, external module, optional
Sensor	6-axis sensor	Support
Indicator	<p>The indicator light shows the four states of the device:</p> <p>Power: the device is powered, the red light is always bright;</p> <p>Normal operation: green light is always bright;</p> <p>Fault alarm: indicator red light flashes once a second;</p> <p>Sleep: green light flashes 1 second and off 10 seconds.</p>	
Storage	SD Card	SDXC64G/128G/256G optional
Audio/video	A/V recording	Video: 2 channels Audio: 2 channels
	Main stream resolution and frame rate	Inside: 1080P @ 30fps Outside: 720P @ 30fps
	Total resource	Main stream 1080P@ 30 frames + 720P@ 30 frames, 2 ways sub-stream VGA@ 30 frames
	Video coding	H.265/H.264
	Video compression bit rate	500Kbps ~ 8Mbps
	Audio compression standard	ADPCM
	Built-in speaker	Built-in speakers for broadcasts, prompting drivers or passengers
	Sensor(inside vehicle)	1/3" 1.23M pixel CMOS Sensor
	Sensor(outside vehicle)	1/2.9" 2M pixel CMOS Sensor
	Electronic Shutter	1/30Second-1/100000 Second
	Lens	Inside:2.3mm Outside:4mm
	Lens port	M12
	Day/Night IR-Cut	Inside: support Outside: not support
	S/N	≥48db
IR distance	Inside: 3m Outside: not support	
Interface	USB	Mini-b USB 2.0
	IPC	1 Channel
	SD slot	1
	SIM slot	1
	RS232	2 Channel (Optional)
	Alarm	2 Channel (Optional)
	IO	2 Channel (Optional)
	SPEED	1 Channel
	Power output	5VDC@500mA (RS232) , 12VDC@500mA(Optional)
Power supply	Power input	DC 9~36V
	Power consumption	6W
Other	Working temperature	-30°C~+70°C

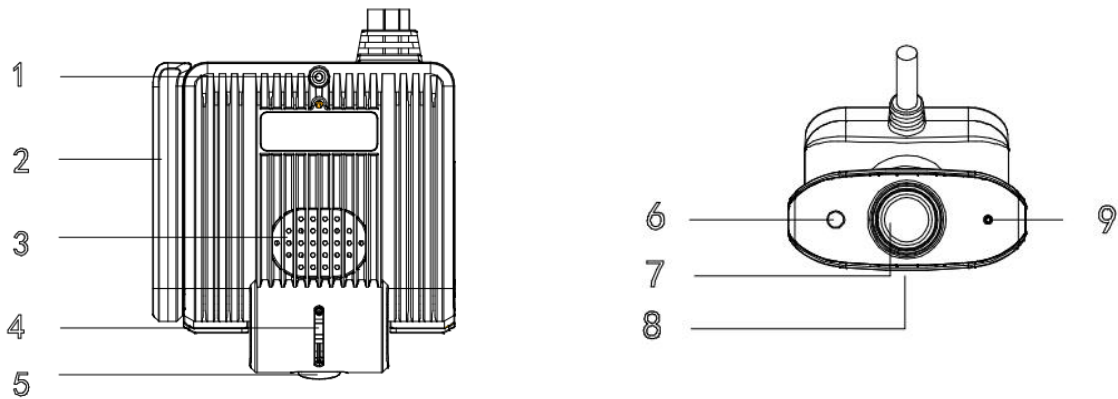
	Storage temperature	-40°C~+85°C
	Humidity	95% No condensation

Dimension

(Unit: mm)



Function description



Item	Definition	Item	Definition
1	Fixing screw of cover	6	Photosensitive area
2	Bluetooth & WIFI	7	Lens (towards inside)
3	Speaker	8	Fixing screw
4	Fixing screw	9	MIC
5	Lens (towards outside)		

Installation

