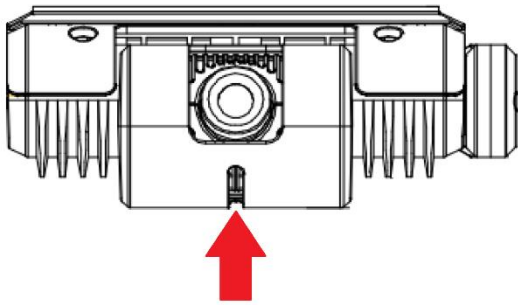


## Camera Angle Adjustment for 0-876-08 or 0-876-09 Dash Camera

- Mount the Camera in final position on the Vehicle
- As image below where the red arrow is there will be a Torx Screw, loosen the adjustment slider for the lens. Then adjust the camera lens to the correct angle, View using Durite Live or the easy check app to get the correct angle for a good image.



- Below image shows 2 cameras one on the Right has been adjusted correctly, giving a decent horizon distance. Where the Left image has not been adjusted giving a limited view from the camera.



- Once the Lens has been adjusted to give a good viewing angle, tighten up the Torx screw on the adjustment slider.