



0-774-80 - Wireless Li Ion Magnetic Reversing Camera with RX Box

Durite TX Wireless Li Ion Magnetic Reversing Camera with RX box. 1/3" CCD-SHARP sensor Image Sensor 2.8mm Lens. 700TVL. 8600mAh Battery can last upto 9 hours. IP67/IP69K. 100Metre signal transmission distance. Vibration 10G. E Marked R10 EMC.



WARNINGS

Before using this unit please read these instructions carefully. Take special care to follow the warnings and safety suggestions listed below. Keep these instructions for future reference. There are no user-serviceable parts within the unit, refer servicing to qualified service personnel.

PRECAUTIONS

- Please ensure you are familiar and comply with local traffic and driving regulations.
- Connection - The camera should only be connected to a Durite CCTV system.
- Heat - Do not install the camera near heat sources.
- Mounting - Ensure the camera is facing the desired direction before fixing the camera base. If fixing to isolated return chassis the camera bracket should be isolated from the vehicle chassis.
- Service - The user should not attempt to service these units beyond that described in these instructions. All other servicing should be referred to an authorised service technician.

GENERAL

The camera has a CCD image sensor which gives a high quality picture and its solid state circuitry provides extremely long life. Compact size and single connection make it easy to install. Automatic gain control (AGC) provides a clear image in both strong sunlight and low light conditions. It is recommended that all camera lead connections are additionally sealed by either wrapping with a suitable tape or application of heat shrink sleeving. It is recommended to connect the system and test before fixing to ensure the correct field of view is displayed.

OPERATION

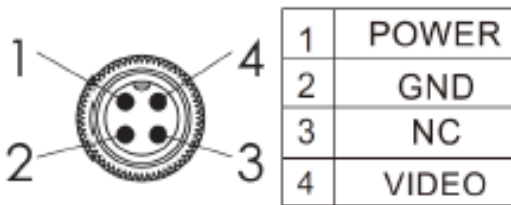
1. Plug in the camera connection power cable, press the "POWER ON" button, the green indicator light will turn on. Then press the "POWER ON" button twice, the blue light should now turn on and the unit has entered into the pairing state.
2. Connect the 4P aviation connector on the receiver RX box side to the device of your choice e.g. monitor, MDVR. Connect DC12-24V power to the red +VE fly lead and the red light should turn on.
3. The wireless receiving box is suitable for 1 to 1 pairing, no trigger line is required.
4. When the camera and the receiving box are in the pairing state at the same time, the pairing can be successful. At this time, the blue indicator light of the receiving box is on and the display has image output.
5. After the camera battery base battery is exhausted, it can be connected to the matching adapter for charging, and the red indicator light will light up when charging. Remarks: It can operate and charge at the same time.

PRODUCT LAYOUT / CONTENTS



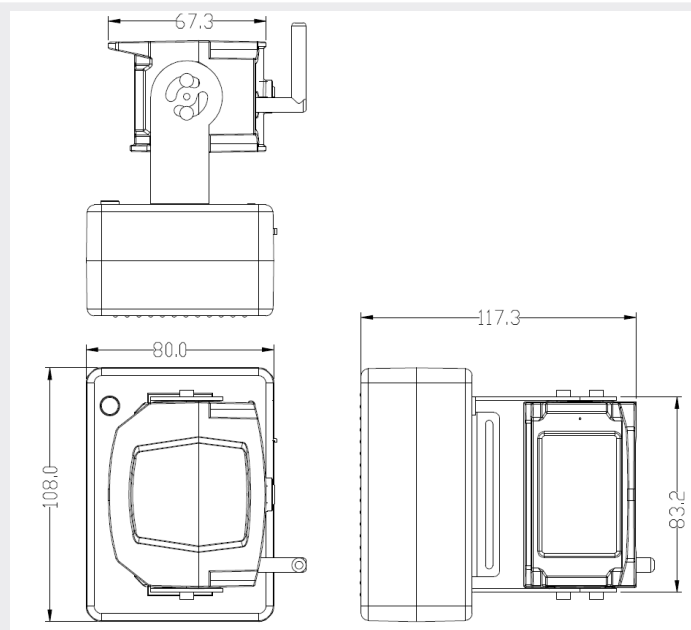
- ① Power(On/off)
- ② Battery connector
- ③ Charger connector
- ④ Charger and Adapter
- ⑤ Indicated lamp/Pairing lamp
- ⑥ Charging lamp
- ⑦ Car charger
- ⑧ Standard Antenn
- ⑨ Jack connector

Female Aviation Plug



TECHNICAL SPECIFICATIONS - Camera TX

Image sensor	1/3 inch Sharp CCD
Resolution	700TVL
Lens	2.8mm
Sync.system	Internal
Viewing angle	120° H, 95° V
TV System	PAL
Video output	1.0vp-p,75ohm AHD
RF working frequency	2.4-2.4835G
RF Modulation Mode	QPSK MD301RE 16QAM MD301SE
Antenna Impedance	50ohm
Transmitted power	18dBm
Signal transmission distance	100Metres
Min illumination	0.1 Lux
Night vision distance	Upto 8 Metres
Image mode	Normal
Vibration	10G
IR LED light	20 LED's
Power voltage	12VDC
Audio	N/A
Waterproof rating	IP67 / IP69K
Voltage / Power	12V 1.2W, 24V 2.4W
Camera connector type	4 PIN Aviation *(See overleaf for layout)
Operating temperature	-30°C ~ 70°C, RH95% MAX
Storage temperature	-30°C ~ 75°C, RH95% MAX
Dimensions	Please see below diagram
Certificate	E Marked R10 EMC



TECHNICAL SPECIFICATIONS - Receiver RX

RF working frequency	2.4-2.4835G
RF Modulation Mode	QPSK MD301RE 16QAM MD301SE/AV
Antenna Impedance	50ohm
Signal transmission distance	100M
Video signal format type	CVBS
P/N system resolution	720x576 NTSC / 720x480 PAL
Video frame	30fps/25fps
Video Output	1.0vp-p 75ohm
Video SNR S/N	50dB
Audio Output	1.0±0.2Vp-p 10Kohm
Audio SNR S/N	58dB
Voltage input	DC 12-24V
Power	2.4W
IP Rating	IP67 / IP69K
Vibration	10G
Operating temperature	-30°C ~ 70°C, RH95% MAX
Storage temperature	-30°C ~ 70°C, RH95% MAX
Dimensions	Please see below diagram
Certificates	E Mark R10 EMC

